

AQUILON hexapod

Dynamic hexapod with very high amplitude



KEY FEATURES

- Payload capacity 6 tons
- Linear travel range ± 800 mm
- Angular travel range $\pm 40^\circ$



APPLICATIONS

- Motion simulator
- Heavy payload positioner
- Swell simulator



Hexapod AQUILON for sloshing tests.

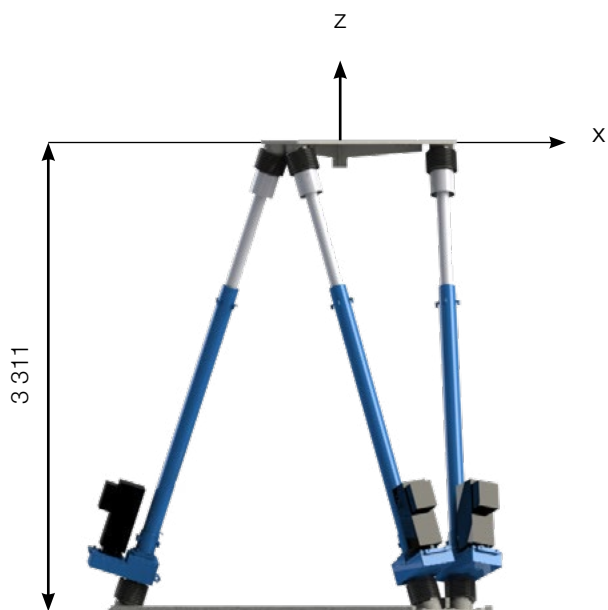


Sloshing tests hexapod AQUILON with a 10T payload.

AQUILON	
Motion and positioning	
Travel range Tx, Ty (mm)	± 800
Travel range Tz (mm)	± 650
Travel range Rx, Ry, Rz (deg)	± 40
Speed Tx, Ty, (mm/s)	± 1 800
Speed Tz (mm/s)	± 1 600
Speed Rx, Ry (°/s)	± 200
Speed Rz (°/s)	± 100
Acceleration Tx, Ty, Tz (mm/s ²)	± 7 000
Acceleration Rx, Ry, (°/s ²)	± 1 200
Acceleration Rz (°/s ²)	± 600
Mechanical properties	
Payload capacity (kg) (vertical orientation only)	6 000
Motor type	Brushless
Miscellaneous	
Operating temperature range (°C)	0 to + 50
Size mobile platform (mm)	Ø 2 100
Height in middle position (mm)	~ 3 311
Mass (kg)	~ 3 000
Cable length (m)	15
Options	Outdoor ATEX compatibility Customized platform design Acquisition (storage of motions) API External real-time trajectory control (ERTT)
Controller	
Interface	Ethernet
Power supply	400 VAC (three-phase) / 250 A

Datasheet subject to change without notice. All data are superseded by any new release. R230419

The performances are specified for single axis motions, with all other axes at midrange and for a rotation center in the middle of the mobile platform.



Hexapod in middle position

