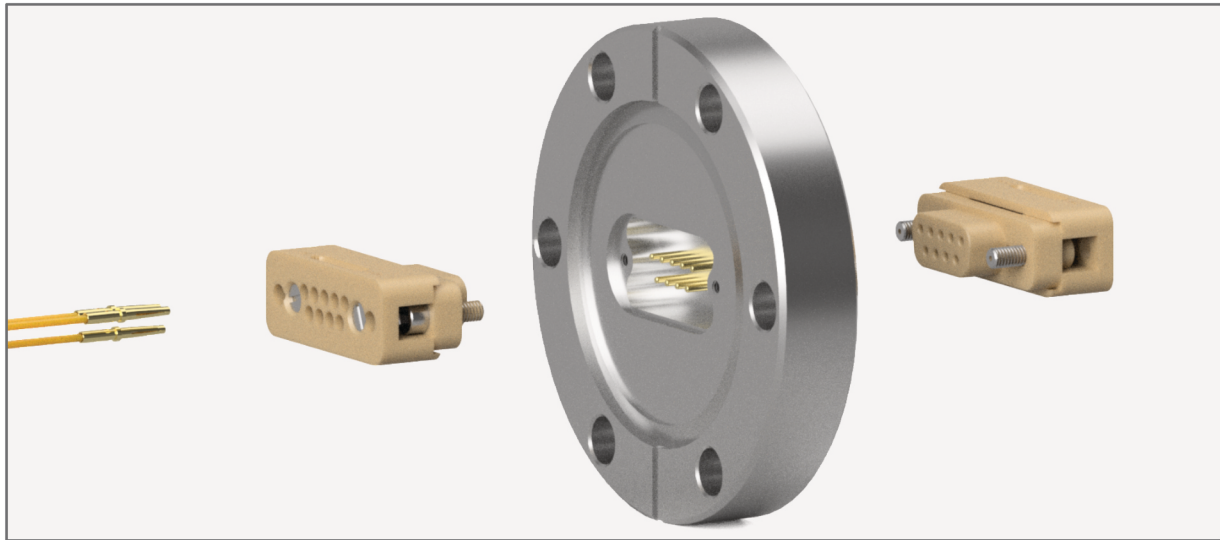


# D-Subminiature Accessories

Ultra High Vacuum D-sub Feedthroughs, Connectors and Accessories

AML produce a range of accessories to complement our UHV compatible products. The D-Subminiature feedthroughs, connectors and accessories support the ease of use and performance of AML stepper motors and stages.



## FEEDTHROUGHS



### VF9D-40CF

D-sub 9-way feedthrough on a DN40 CF flange (70 mm OD). Individual glass-ceramic compression seals and bakeable to 250°C. Suitable for use to  $1.3 \times 10^{-10}$  mBar ( $1 \times 10^{-10}$  Torr). Male to male connection. 1.01mm gold plated pins. Rating. 500V, 5 A per pin (max 20% of pins).



### VF15D-63CF

D-sub 15-way feedthrough on a DN63 CF flange (114 mm OD). Individual glass-ceramic compression seals and bakeable to 250°C. Suitable for use to  $1.3 \times 10^{-10}$  mBar ( $1 \times 10^{-10}$  Torr). Male to male connection. 1.01mm gold plated pins. Rating. 500V, 5 A per pin (max 20% of pins).

## CONNECTORS

---



### VC9DF

UHV, bakeable D-sub connector. 9-way female connectors available for mating with the VF9D-40CF feedthroughs. Suitable for use to  $1.3 \times 10^{-10}$  mBar ( $1 \times 10^{-10}$  Torr).



### VC15DF

UHV, bakeable D-sub connector. 15-way female connectors available for mating with the VF15D-63CF feedthroughs. Suitable for use to  $1.3 \times 10^{-10}$  mBar ( $1 \times 10^{-10}$  Torr).

## PINS AND TOOLING

---



### XCRDSUB

Crimp tool for D-sub connectors.

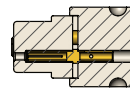
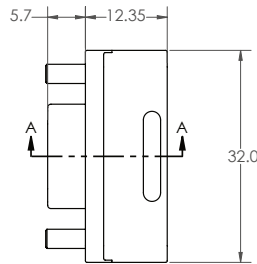
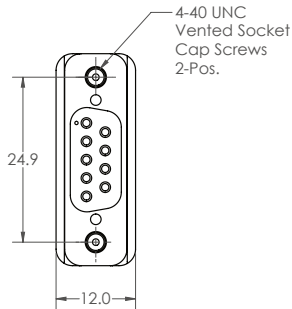
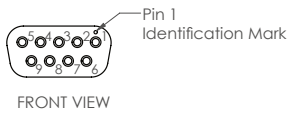
### VCDSKT

D-sub female crimp sockets. Bag of 10.

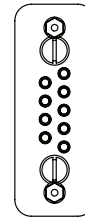
## DIMENSIONS

### VC9DF

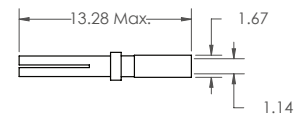
Pin Number Locations



SECTION A-A

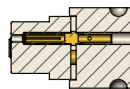
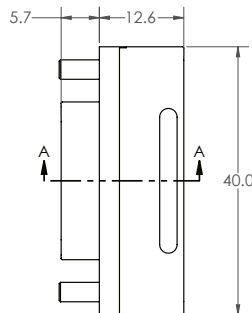
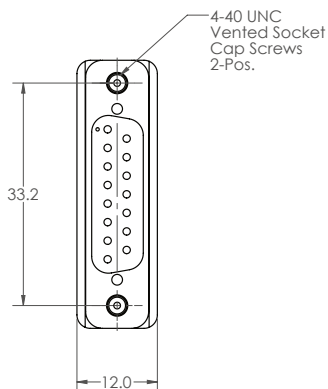
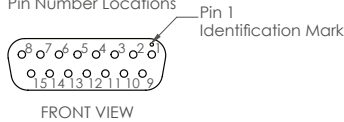


20-24 AWG Machined D-Sub Socket Crimp  
P/N 030-1953-000

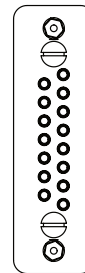


### VC15DF

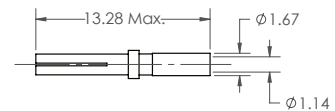
Pin Number Locations



SECTION A-A



20-24 AWG Machined D-Sub Socket Crimp  
P/N 030-1953-000



## ORDERING INFORMATION

Order Code	
VF9D-40CF	D-Subminiature 9-Way Feedthrough
VF15D-63CF	D-Subminiature 15-Way Feedthrough
VC9DF	D-Subminiature 9-Way PEEK Connector
VC15DF	D-Subminiature 15-Way PEEK Connector
XCRDSUB	Crimp Tool for D-sub Connectors
VCDSKT	D-Subminiature Pins and Tooling. Bag of 10



Arun Microelectronics Ltd.  
Unit 2, Bury Mill Farm  
Bury Gate  
PULBOROUGH  
RH20 1NN  
United Kingdom

Tel: +44 (0)1903 884141  
Email: sales@arunmicro.com

AML pursues a policy of continuous improvement and reserves the right to make detail changes to specifications without consultation. E and OE.