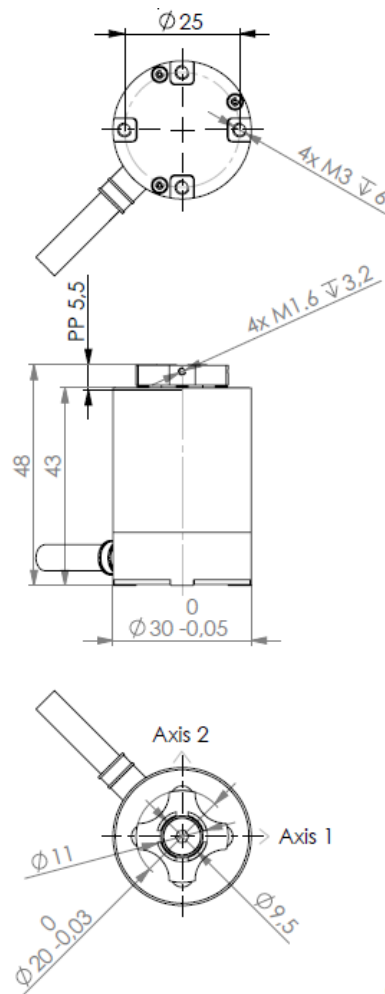


## Preliminary Product-Specification

Product	Piezo Tip/Tilt Platform			
	Product-Number	T2O-L20006	T2S-D20006	Unit
Angle/Deflection, closed loop	-	6/12	mrad	±10%
Angle/Deflection, open loop	7/14		mrad	min.
Resolution, open loop	20		nrad	RMS
Resolution, closed loop	-	50	nrad	RMS
Linearity, closed loop	-	0.4	%	typ.
Repeatability, closed loop	-	250	nrad	typ.
Resonance, unloaded	1.9		kHz	estim.
Resonance, w/ $\varnothing 25$ x 8 mm mirror	1.4		kHz	estim.
El. Capacitance @ 1V eff. 1kHz	6.6/axis		$\mu\text{F}$	±20%
Distance, Mirror-Bottom to Pivot-Pt.	3.7		mm	estim.
Platform-Material	stainless steel			
Mounting Pattern, bottom	4x M3 on d=19		mm	
Mounting Pattern for mirror-holder	4x M1.6		mm	
Operating Temperature	-20..80		$^{\circ}\text{C}$	
Wire-Length	1500		mm	±20
Connectors	Lemos	D-Sub		
Mirror	optional			

### Options:

- Vacuum-Compatibility
- Suitable drivers, open-loop, 3x EBO-060100
- Suitable controller, closed-loop, EBD-060325



C