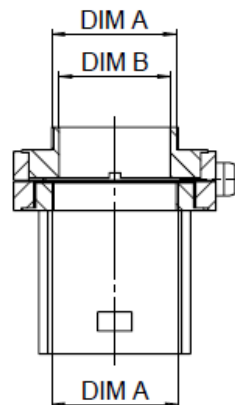
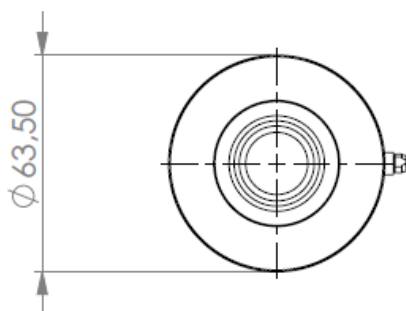
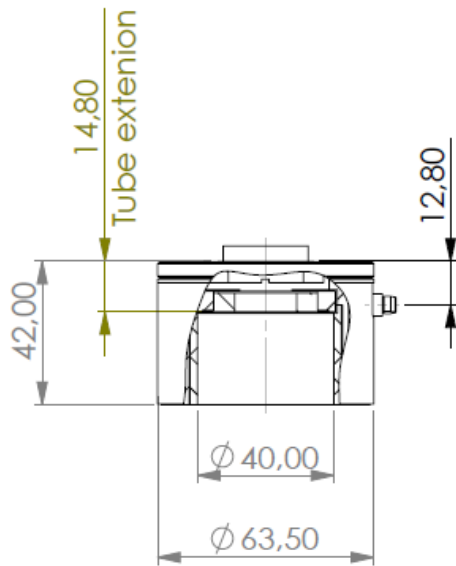


Product-Specification

Product	High Dynamic Objective-Positioner		
Product-Code	SFS-D90100-001	Unit	Tolerance
Position-Sensor	SGS, Full-Bridge		
Range, Closed Loop	100	µm	±1%
Range, Open Loop, -45..+180 V	120	µm	± 10%
Resolution, open loop	0.5	nm	ca., RMS
Resolution, closed loop	1.0	nm	ca., RMS
Linearity, closed loop	0.2	%	typ.
Repeatability	10	nm	typ.
Push/Pull	80/30	N	max.
Lateral Force	10	N	max.
Stiffness	5.0	N/µm	min.
Resonance, with thread-adapter	1.100	Hz	±10%
Resonance, with 200g objective	600	Hz	±10%
Elektrical Capacitance @ 1V eff, 1kHz	4.4	µF	±10%
Body-Material	Aluminum/Stainless-Steel		
Operating Temperature	-20..80	°C	



OBJECTIVE INTERFACE		
SIZE	THREAD SIZE (DIM A)	DIAMETER (DIM B)
O1	M19x0.75	14.0
O2	M25x0.75	22.0
O3	M26x0.75	23.0
O4	M27x0.75	24.0
O5	M28x0.75	25.0
O6	M32x0.75	29.0
O7	M26x1/36"	22.0
O8	W0.8x1/36"	14.0
O9	W26x1/36"	22.0