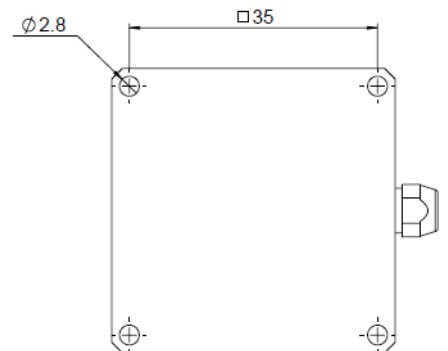
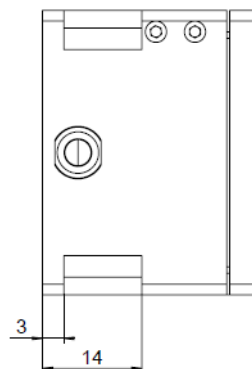
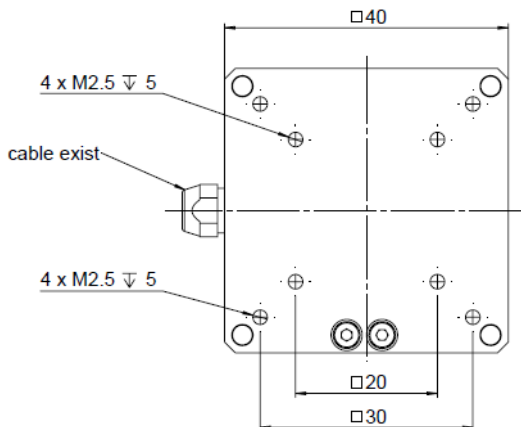
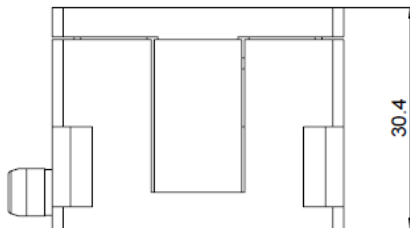


## Product-Specification

Product	Z-Stages				
	Product-Code	CPO-L00100	CPS-D00100	Unit	Tolerance
Position-Sensor			SGS, Full-Bridge		
Range, Closed Loop	-		100	µm	±10%
Range, Open Loop (0..150 V)			75	µm	±10%
Range, Open Loop (-45..180 V)			120	µm	±10%
Resolution, open loop			0.5	nm	RMS
Resolution, closed loop	-		1	nm	RMS
Linearity, closed loop	-		0.2	%	typ.
Repeatability	-		10	nm	typ.
Push/Pull			15/10	N	max.
Lateral Force			10	N	max.
Stiffness			1.5	N/µm	±20%
Resonance, unloaded			370	Hz	ca.
Resonance, with 100 g load			310	Hz	ca.
Electrical Capacitance @ 1V eff, 1kHz			2.2	µF	±10%
Body-Material			Aluminium, stainless steel		
Wire-Length			1.5	m	+/-1%
Connector	Lemo		DSub15		
Operating Temperature			-20..+80	°C	

### Options:

- Vacuum-Compatibility
- Suitable Driver, open-loop, EBO-050100
- Suitable Controller, closed-loop, EBD-060100

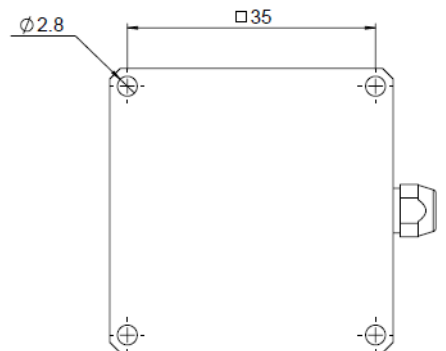
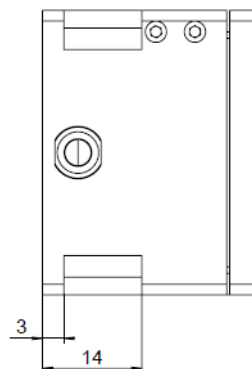
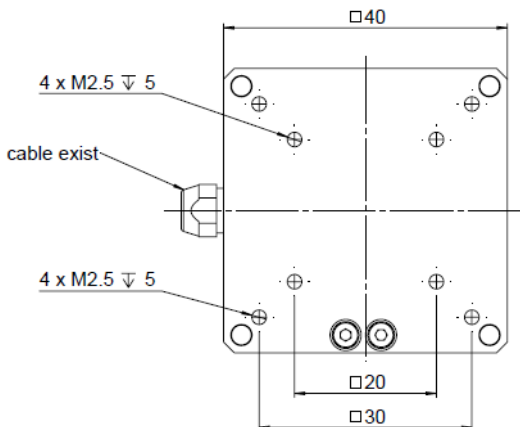
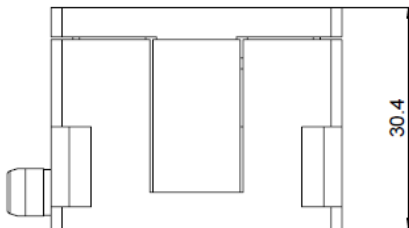
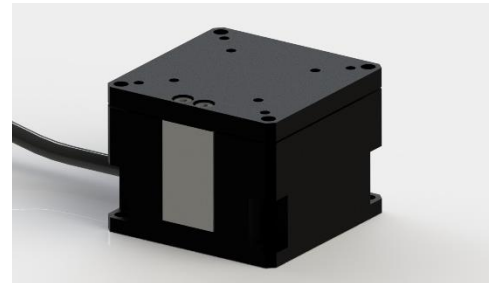


## Product-Specification

Product	Z-Stages 250 µm			
Product-Code	CPO-L00250	CPS-D00250	Unit	Tolerance
Position-Sensor		SGS, Full-Bridge		
Range, Closed Loop	-	250	µm	±10%
Range, Open Loop (0..150 V)	190		µm	±10%
Range, Open Loop (-45..180 V)	300		µm	±10%
Resolution, open loop	1.5		nm	RMS
Resolution, closed loop	-	2.5	nm	RMS
Linearity, closed loop	-	0.2	%	typ.
Repeatability	-	25	nm	typ.
Push/Pull	15/10		N	max.
Lateral Force	10		N	max.
Stiffness	0.2		N/µm	±20%
Resonance, unloaded	210		Hz	ca.
Resonance, with 100 g load	190		Hz	ca.
Electrical Capacitance @ 1V eff, 1kHz	2.2		µF	±10%
Body-Material	Aluminium, stainless steel			
Wire-Length	1.5		m	+1%
Connector	Lemo	DSub15		
Operating Temperature	-20..+80		°C	

### Options:

- Vacuum-Compatibility
- Suitable Driver, open-loop, EBO-050100
- Suitable Controller, closed-loop, EBD-060100



## Product-Specification

Product	Z-Stage		
Product-Code	CPS-D00500 (CPO-L00500 open loop)	Unit	Tolerance
Position-Sensor	SGS, Full-Bridge		
Range, Closed Loop	500	µm	±10%
Range, Open Loop (0..150 V)	370	µm	±10%
Range, Open Loop (-45..180 V)	600	µm	±10%
Resolution, open loop	3	nm	ca., RMS
Resolution, closed loop	5	nm	ca., RMS
Linearity, closed loop	0.2	%	typ.
Repeatability	50	nm	typ.
Push/Pull, maximum	40/20	N	
Lateral Force, maximum	10	N	
Stiffness	0.15	N/µm	±20%
Resonance, unloaded	260	Hz	ca.
Resonance, with 100 g load	180	Hz	ca.
Electrical Capacitance @ 1V eff, 1kHz	4.4	µF	±10%
Body-Material	Aluminum/Stainless-Steel		
Connector	DSub15 (open loop: Lemo)		
Operating Temperature	-20..80	°C	

### Options:

- ↗ Vacuum-Compatibility
- ↗ Suitable Driver, open-loop, EBO-050100
- ↗ Suitable Controller, closed-loop, EBD-060100

