

GO



Fast
hands-free
positioning
with nm
precision

PRECIBEO GO Actuator

Plug & Play Piezo Actuators

Nanometer Resolution Motion for Optics

The PRECIBEO GO Actuators move with nanometer precision over centimeter distances and are self-locking at rest.

The PRECIBEO GO Actuators come with an integrated position sensor, and are designed for delivering the precision, load capacity and ease of use needed for fast and simple set up.



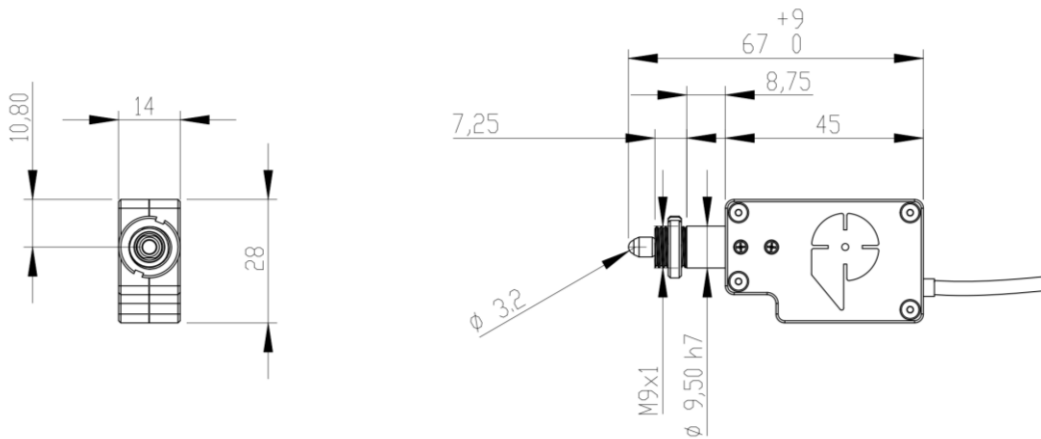
Choose one, two or three actuators, use the 9,5 mm clamping shank or M9 mounting thread and create your multi axis system. Plug the actuator cable connectors into the PRECIBEO GO Controller and you are ready to GO!

Modular Actuator & Stage System

All products in the PRECIBEO GO System can be combined and controlled through the Windows Apps GO Command or GO Motion and with the optional GO Joystick. The GO Actuators provide:

- 10 N Push / Pull Force
- Fast Step & Settling Times
- Self-Locking at Rest





Technical Specification

MODEL	GO ACTUATOR CL
POSITIONING	
TRAVEL (X)	9 mm
POSITION SENSOR	Optical Encoder
SENSOR RESOLUTION	2 nm
MIN INCREMENTAL MOTION	2 nm
BIDIRECTIONAL REPEATABILITY	+/- 200 nm (typ.)
MOTION	
MAX OPERATING FORCE (PUSH / PULL)	10 N (min.)
HOLDING FORCE (WHEN POWER IS OFF)	10 N (min.)
MAX SPEED (AT NO LOAD)	8 mm/s
MAX SPEED (AT MAX OPERATING FORCE)	5 mm/s (min.)
DRIVE TYPE	
MOTOR TYPE	Piezo Drive
MECHANICAL	
MECHANICAL INTERFACE	9.5 mm clamping shank or M9 mounting thread
SIZE	67x28x14 mm
MISCELLANEOUS	
CABLE	2 m cable (+-5%) with ix Industrial™ connector
MATERIAL	Piston: Stainless Steel Housing: Aluminum

Order Information

Please contact us by phone (+46 18 700 13 40) or email (sales@precibeo.com) for any enquiries.

PRODUCT	DESCRIPTION
GO-ACT1CLC	One GO Actuator CL with Clamp Interface with Cable and Connector.
GO-ACT1CLT	One GO Actuator CL with Thread Interface with Cable and Connector.

Disclaimer: Specifications of the product do not constitute a warranty of the properties. They are intended for information purposes only and are subject to change.

GO Actuator

High Precision Mirror Mount Assembly

High Precision Mirror Mounts

The PRECIBEO GO Actuators move with nanometer precision over centimeter distances and are self-locking at rest.

Mounted in the U100-A-LH – Ultima® Mirror Mount, the assembly provides fast and precise optical adjustments.

Connect your GO Actuators to the GO Controller, and you are ready to GO!



Technical Specification

MODEL	2 GO ACTUATORS IN AN U100-A-LH - ULTIMA® MIRROR MOUNT
POSITIONING	
TRAVEL $\Theta(X)$	13°
TRAVEL $\Theta(Y)$	13°
POSITION SENSOR	Optical Encoder
SENSOR RESOLUTION	0,05 μ rad
MIN INCREMENTAL MOTION	0,05 μ rad
BIDIRECTIONAL REPEATABILITY	+5 μ rad excl. any non-repeatable motions in the mirror mount
MOTION	
MAX ACTUATOR PUSH / PULL FORCE	10 N (min.)
HOLDING FORCE (WHEN POWER IS OFF)	10 N (min.)
MAX SPEED	7°/s (minimum)

Order Information

Please contact us by phone ([+46 18 700 13 40](tel:+46187001340)) or email (sales@precibeo.com) for any enquiries.

PRODUCT	DESCRIPTION
GO-ACT1CL	One GO Actuator CL with Cable and Connector.
U100-A-LH	Left Open 1 Inch Mirror Mount from Newport®.

Disclaimer: Specifications of the product do not constitute a warranty of the properties. They are intended for information purposes only and are subject to change.