

Piezo-linear motion– AutoScrew.LR

RT-Piezoliner motion solution, for mirror mounts adjust ment



AutoScrew.LR

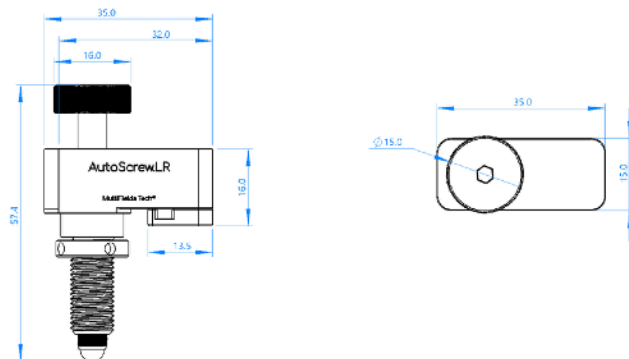
AutoScrew.LR – Specification

Optional Versions ⇨	Standard	.HV
	NM, non-magnetic; .UHV, ultra-high vacuum compatible;	
1 Footprint, high		
2 Mainbody Materials	Stainless	Stainless
3 Cable & Connectors	Shielded wire SMB Connectors	kapton shielded wire, 2mm PEEK pins
Motion parameter		
4 Travel Range	10 mm	
5 Max Velocity	2 mm/min	
6 Step size	Typical 20 nm, MAX 50 nm	
7 Step Frequency	2 kHz	
8 Drive force	20 N	
9 Holding Force	100 N	
10 Permissible perpendicular push force	1 N	
Controller- MC-Newton. E4		
11 Controller	MC-Newton E4	
12 Output channels	4 Channel	
13 Drive voltage	75V Max	
14 Interfaces	USB / RS485	
15 Power supply	DC 12 V	

Feature

- Holding Force: 100 N, Drive force:20 N;
- Step size: 20 nm;
- Travel Range: 10 mm
- Self-loading no heat generation at rest.
- M9 x 0.5 mounting thread (optional)
- Controller MC -**Newton.E4**
- Non-magnetic (.NM)、 high vacuum (.HV) & ultra- high vacuum (.UHV) optional

2D-Drawings



Piezoelectric Motion - RT

Piezoelectric Motion - RT