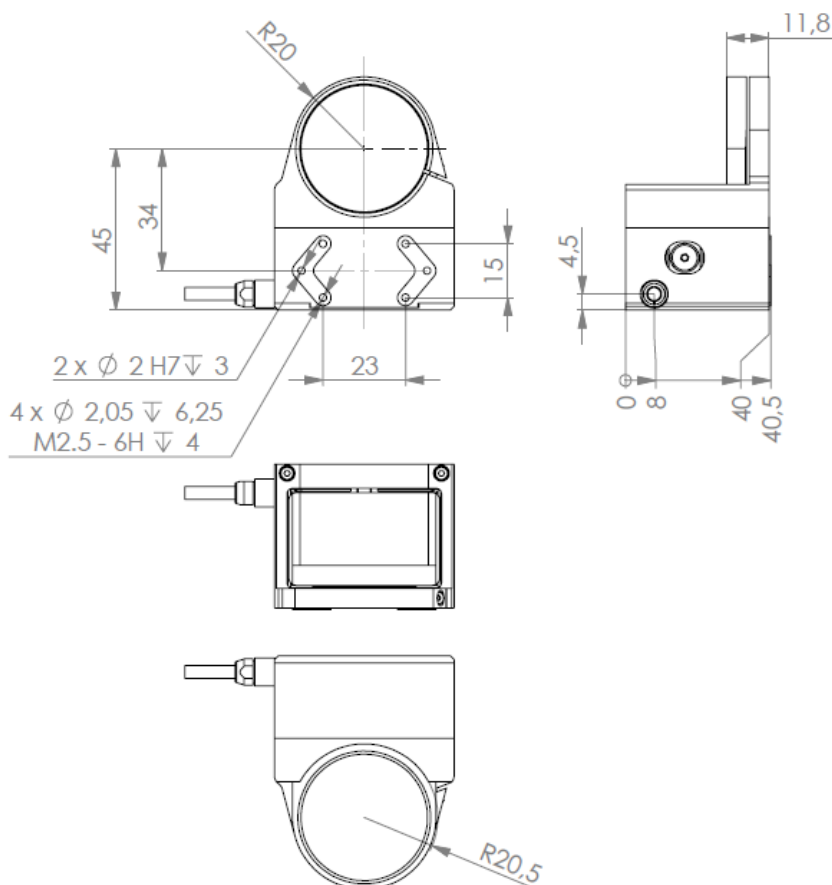


## Product-Specification

Product	StraightFocus Objective-Positioners SFC, with capacitive sensors SFS, with strain-gage sensors				
Product-Code	SF_-D20100	SF_-D20400	SF_-D20800	Unit	Tolerance
Range, Closed Loop	100	400	800	µm	±1%
Range, Open Loop (-45..180 V)	120	480	960	µm	ca.
Resolution, SFC	0.5	2	4	nm	RMS, typ.
Resolution, SFS	1.5	6	12		
Linearity, SFC	0.02			%	typ.
Linearity, SFS	0.2				
Pitch/Yaw	10	30	60	µrad	max.
Repeatability, SFC	10	30	50	nm	RMS, typ.
Repeatability, SFS	20	50	80		
Push/Pull	15/20	15/20	10/20	N	max.
Stiffness	0.5	0.25	0.09	N/µm	ca.
Resonance, unloaded	680	400	230	Hz	ca.
Electrical Cap. @ 1V eff, 1kHz	1.1	3.3	6.6	µF	±10%
Body-Material	aluminum/stainless-steel				
Operating Temperature	-20..80				°C

### Options:

- Vacuum-Compatibility or Non-Magnetic
- Suitable Controller for SFC, EBC-120210
- Suitable Controller for SFS, EBD-120210



Objective Adapters		
Size	Thread-Size (DIM A)	Diameter (DIM B)
01	M19x0.75	14.0
02	M25x0.75	22.0
03	M26x0.75	23.0
04	M27x0.75	24.0
05	M28x0.75	25.0
06	M32x0.75	29.0
07	M26x1/36"	22.0
08	W0.8x1/36"	14.0
09	W26x1/36"	22.0
10	M34x0.75	31.0
11	M36x0.75	33.0

