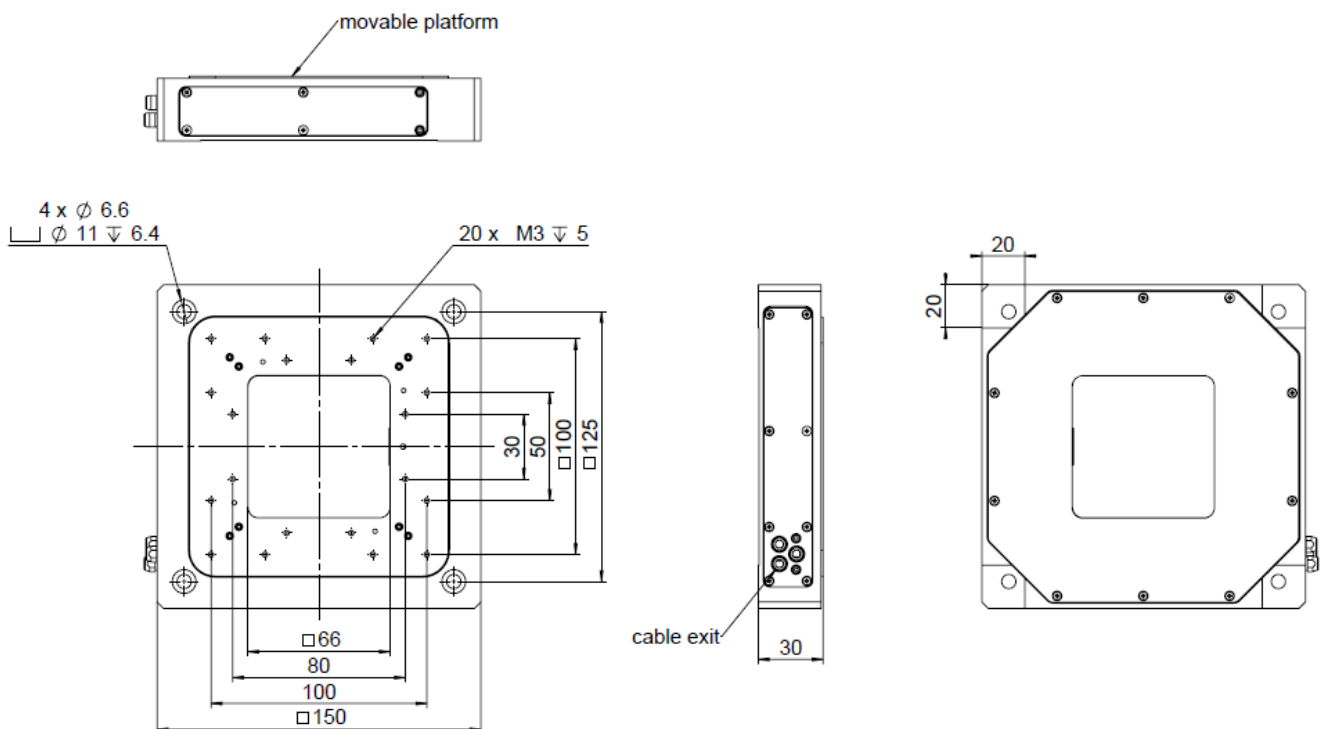


Product-Specifications

Product	L3C-D10100 Piezo XYZ Stages, XY 100 µm, Z 20/50/100 µm				
Product-Number, L3C-D10100-..	XY100Z20	XY100Z50	XY100Z100	Unit	Tolerance
Position-Sensors	Capacitive (Cap)				
Ranges, closed loop	100/100/20	100/100/50	100/100/100	µm	
Ranges, open loop (-45..+180V)	140/140/24	140/140/60	140/140/120	µm	±20%
Resolution, closed loop, XY/Z	0.5/0.1	0.5/0.3	0.5	nm	RMS, typ.
Linearity, closed loop	0.02			%	typ.
Repeatability, XY/Z	5/2	5/3	5	nm	±, typ.
Resonance, XY, unloaded	1100			Hz	±20%
Resonance, Z, unloaded	1200	760	730	Hz	±20%
El. Capacitance @ 1Veff 1kHz	XY13.2/Z4.4	XY13.2/Z4.4	XY13.2/Z8.8	µF	±10%
Dimensions (LxWxH)	150x150x30			mm	
Aperture, Dimensions (LxW)	66x66			mm	
Body/Platform-Material	Aluminum, black				
Operating Temperature	-20..+80			°C	
Connector	DSub25				
Cable length	1.5			m	

Options:

- Vacuum compatibility and/or non-magnetic
- Suitable controller, LPC, EBC-120330
- Suitable controller, LPS, EBD-060230

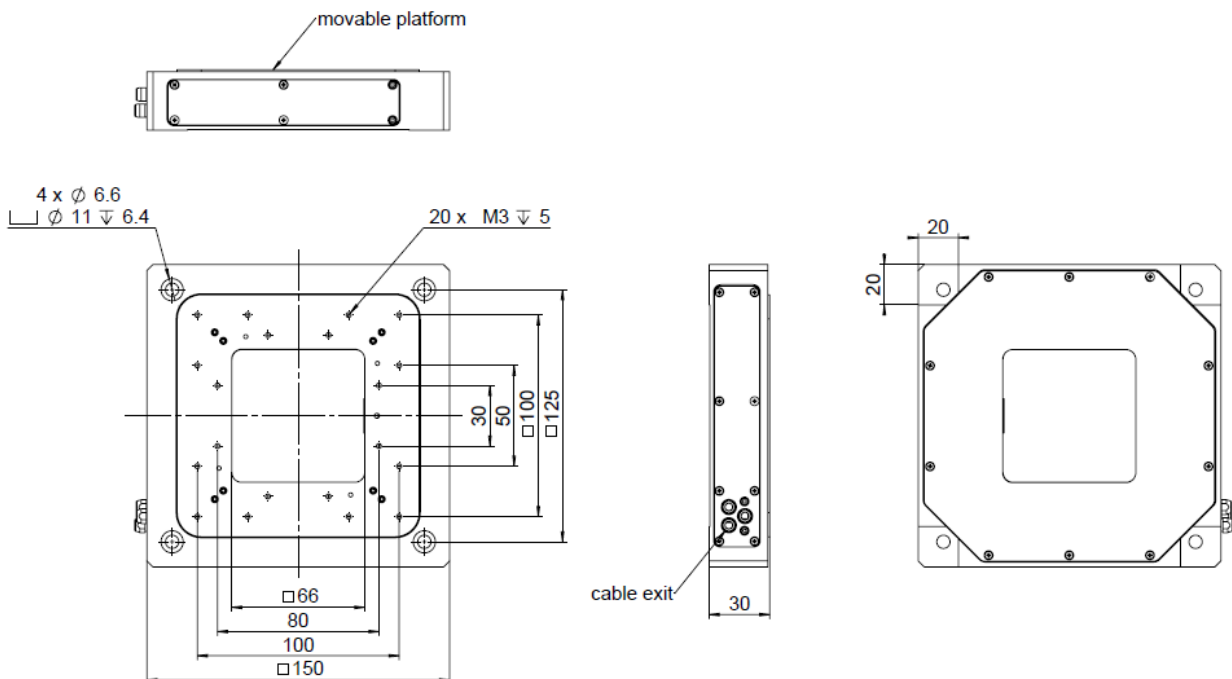


Product-Specification

Produkt	L3_-D10300, Piezo XYZ Stages, XY 300 µm, Z 20/50/100/300 µm					
Product-Number. L3_D10300-..	XY300Z20	XY300Z50	XY300Z100	XY300Z300	Unit	Tolerance
Position-Sensors	capacitive sensors (L3C). strain sensors (L3S)					
Ranges, closed loop	300/300/20	300/300/50	300/300/100	300/300/300	µm	
Ranges, open loop (-45..+180V)	480/480/24	480/480/60	480/480/120	480/480/360	µm	±20%
Resolution, L3C	1.5/0.1	1.5/0.15	1.5/0.5	1.5/1.5	nm	typ. RMS
Resolution, L3S	1.5/0.5	1.5/1	1.5/1	1.5/1.5		
Linearity, L3C	0.02				%	typ.
Linearity, L3S	0.2					
Repeatability, L3C	15/1	15/1	15/1	15/1	nm	±. typ.
Repeatability, L3S	30/2	30/5	30/10	30/30		
Resonance XY, unloaded	185				Hz	±20%
Resonance, Z, unloaded	680	600	580	450	Hz	±20%
El. Capacitance @ 1Veff 1kHz	XY13.2/Z4.4		XY13.2/Z8.8	XY13.2/Z13.2	µF	±10%
Dimensions (LxWxH)	150x150x30				mm	
Aperture, Dimensions (LxW)	66x66				mm	
Body/Platform-Material	aluminum, black anodized					
Operating Temperature	-20..+80				°C	
Connector	DSub25					
Cable length	1.5				m	

Options:

- Vacuum compatibility and/or non-magnetic
- Suitable controller, LPC, EBC-120330
- Suitable controller, LPS, EBD-060230



Product-Specification

Produkt	L3_-D10600, Piezo XYZ Stages, XY 600 µm, Z 20/50/100/300 µm					
Product-Number. L3_D10600-..	XY600Z20	XY600Z50	XY600Z100	XY600Z300	Unit	Tolerance
Position-Sensors	capacitive sensors (L3C). strain sensors (L3S)					
Ranges, closed loop	600/600/20	600/600/50	600/600/100	600/600/300	µm	
Ranges, open loop (-45..+180V)	720/720/24	720/720/60	720/720/120	720/720/360	µm	±20%
Resolution, L3C	3/0.1	3/0.3	3/0.5	3/1.5	nm	typ. RMS
Resolution, L3S	6/0.5	6/1	6/1	6/3		
Linearity, L3C	0.02				%	typ.
Linearity, L3S	0.2					
Repeatability, L3C	30/1	30/1	30/1	30/1	nm	±. typ.
Repeatability, L3S	60/2	60/5	60/10	60/60		
Resonance XY, unloaded	160				Hz	±20%
Resonance, Z, unloaded	550	520	510	410	Hz	±20%
El. Capacitance @ 1Veff 1kHz	XY13.2/Z4.4		XY13.2/Z8.8	XY13.2/Z13.2	µF	±10%
Dimensions (LxWxH)	150x150x30				mm	
Aperture, Dimensions (LxW)	66x66				mm	
Body/Platform-Material	aluminum, black anodized					
Operating Temperature	-20..+80				°C	
Connector	DSub25					
Cable length	1.5				m	

Options:

- Vacuum compatibility and/or non-magnetic
- Suitable controller, LPC, EBC-120330
- Suitable controller, LPS, EBD-060230

